

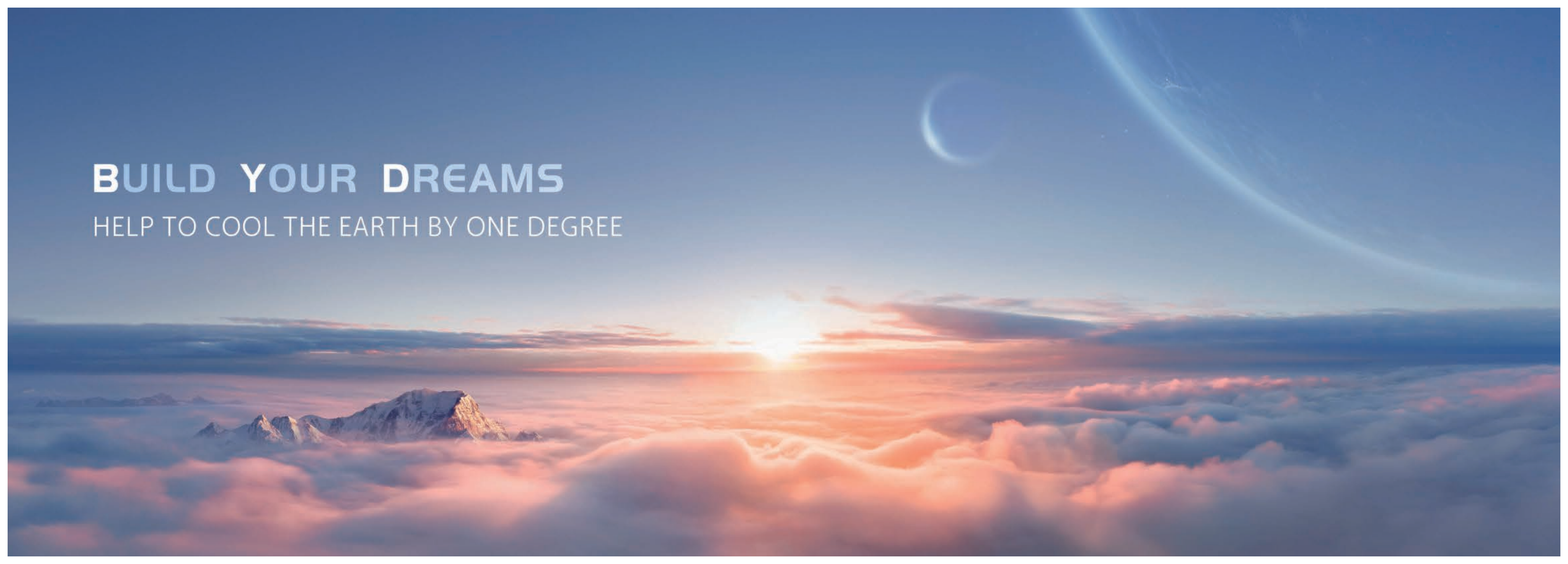
BYD Europe
www.byd.com

Please note: Images for illustrative purposes only. Please refer to actual product for accurate information.
All information presented herein is based on data available at the time of posting, is subject to change without notice.(0824-BPS-EN-V3)



BUILD YOUR DREAMS

HELP TO COOL THE EARTH BY ONE DEGREE





Contents

Introduction	01
Exterior design	03
Interior design	09
Connectivity	19
Technology	23
Safety	31
Charging	35
Vehicle to Load	37

Spacious, Comfortable and Practical SUV



100%
Pure Electric



Up to 500 km
WLTP combined



Up to 87.0 kWh
Battery capacity



*Note: CO₂ emissions combined: 0g/km

The figures may not reflect real life driving results, which will depend upon a number of factors, including the starting charge of the battery, factory-fitted options, accessories fitted (post registration), variations in weather, driving styles, and vehicle load.



Ocean-inspired design

The BYD SEAL U applies the captivating X design philosophy to the SUV segment. Combining BYD oceanic aesthetics with futuristic design touches produces a striking car for eco-conscious families.

Projecting a greater light

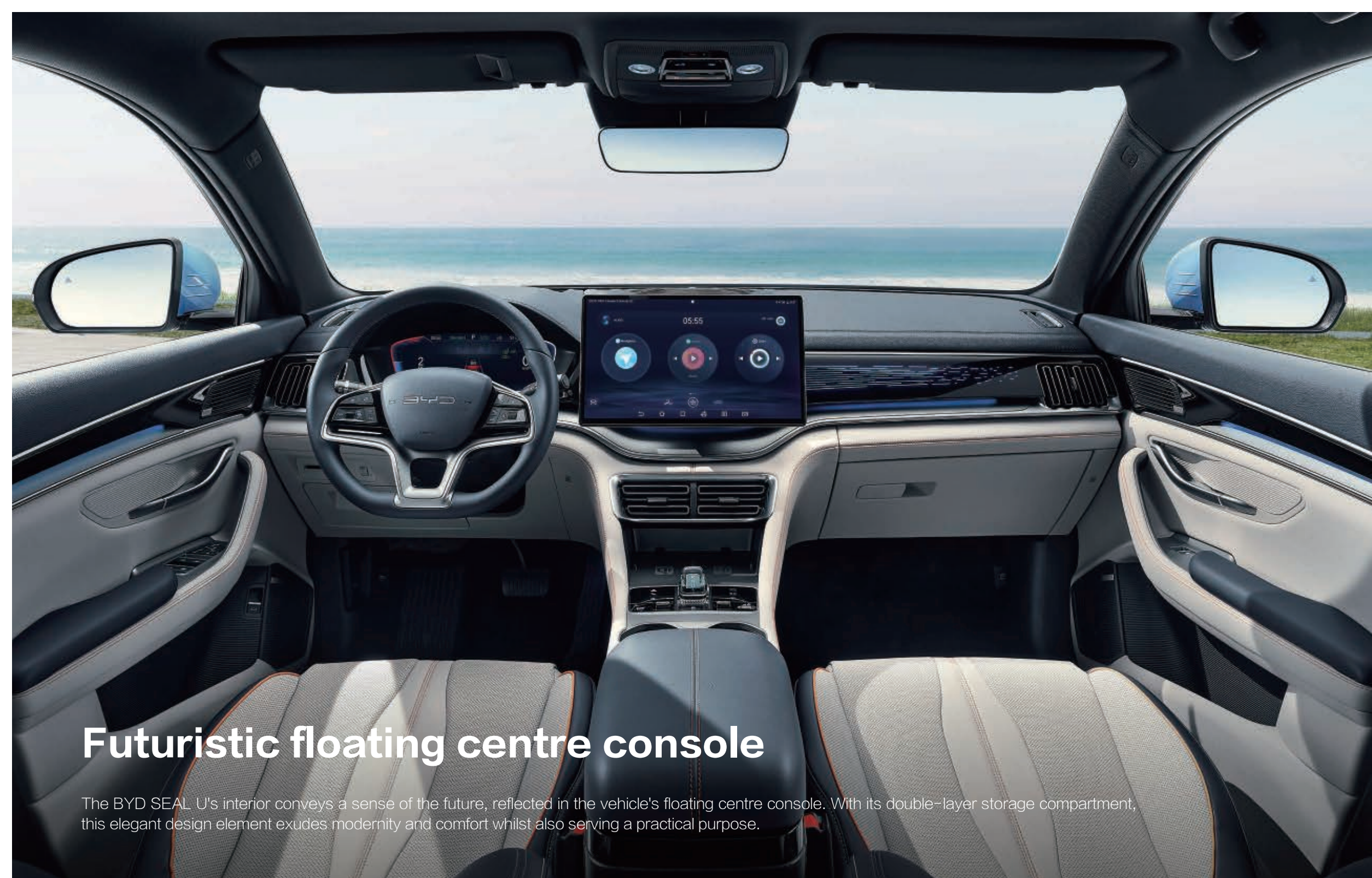
The double U-shaped headlights incorporate staggered light clusters that cast a powerful beam, ensuring clearer visibility and a safer drive. Meanwhile, the rear of the vehicle exudes sophistication, boasting a continuous taillight designed in a graceful waterdrop matrix pattern that adds a touch of refined elegance.



Stylish 19-inch wheels

The BYD SEAL U features 19-inch aerodynamic wheels that seamlessly marry style and efficiency. These meticulously crafted wheels enhance the vehicle's aesthetics and optimise performance by minimising drag, resulting in a drive that's as smooth as it is stylish.





Futuristic floating centre console

The BYD SEAL U's interior conveys a sense of the future, reflected in the vehicle's floating centre console. With its double-layer storage compartment, this elegant design element exudes modernity and comfort whilst also serving a practical purpose.



Always-in-touch rotatable screen

The large rotatable touchscreen acts as a central control hub for connectivity and infotainment. The seamless connection with intelligent voice and multifunctional features ensures a smooth and enjoyable driving experience with real-time information available at a glance.



Oceanic crystal gear levers

The interior of the BYD SEAL U draws inspiration from the ocean's beauty, evident in the captivating crystal gear lever. Surrounded by essential function buttons, this stunning feature further enhances the interior's aesthetics and provides easy control at your fingertips.



Immersive enjoyment

Advanced NVH technology guarantees a serene and relaxed atmosphere during travel. The high-quality audio system, featuring state-of-the-art speakers, delivers immersive stereo sound. Wrap-around ambient lights illuminate in sync with the audio, creating an unparalleled emotional journey.

Panoramic sunroof

Enjoy abundant natural light and the freedom of the great outdoors with the expansive sliding panoramic sunroof. From clear blue skies to captivating starry nights, this feature allows light and fresh air to enter the cabin, connecting you with the surrounding environment.

Take comfort in multifunctional seats

The BYD SEAL U's integrated multifunctional seats are designed to offer remarkable comfort. The front seats, featuring ventilation and heating capabilities, come with electric adjustment and memory functions allowing you to easily find your preferred seating position, guaranteeing a consistently comfortable experience no matter the distance you're covering.





Generous rear seating

The rear of the SEAL U is very spacious, with a flat floor and plenty of legroom, allowing passengers to stretch out and relax during long journeys. The supportive seats further enhance comfort for rear-seat passengers.



Large storage capacity

The BYD SEAL U boasts a substantial 552 litres boot capacity, which can be expanded to a roomy 1,440 litres when the rear seats are folded down. This spacious design offers versatile and practical storage solutions to easily accommodate your luggage needs.

BYD intelligent cockpit

With navigation as standard and a range of Apps, including Android Auto and Apple CarPlay, the 4G connection system brings an ultra-smart driving experience with leading infotainment together with intelligent voice control. With Over-The-Air (OTA) updates, you'll always enjoy the latest technological advancements.

* Apple CarPlay is a trademark of Apple Inc., registered in the U.S. and other countries. Please check Apple CarPlay's available regions at www.apple.com/ios/feature-availability/#apple-carplay

* Android and Android Auto are trademarks of Google LLC. Please check Android Auto's available regions at g.co/androidauto/requirements.

* To wirelessly use Android Auto on your car display, you need a compatible Android smartphone with an active data plan. You can check which smartphones are compatible at g.co/androidauto/requirements.

* To use Android Auto on your car display, you'll need an Android phone running Android 8 or higher, an active data plan, and the Android Auto app.compatible at g.co/androidauto/requirements.





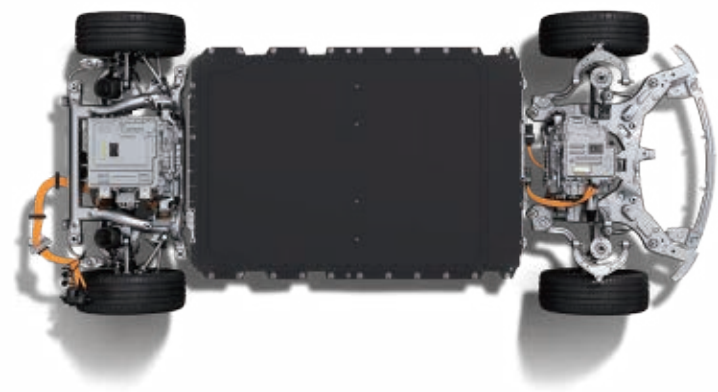
Control at your fingertips

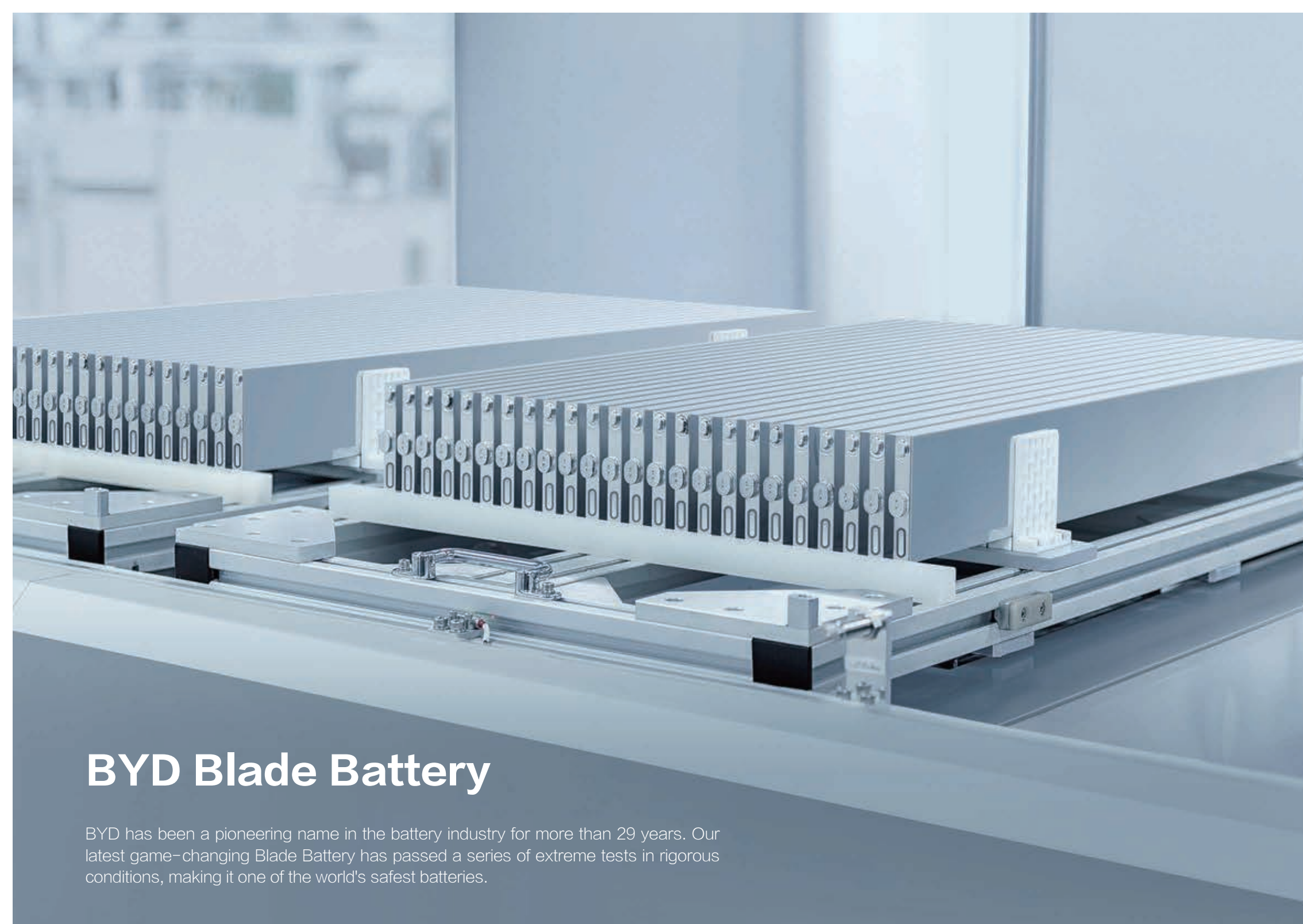
The BYD SEAL U offers the convenience of NFC keyless entry using a card or iPhone. Whether hot or cold, prepare for the journey ahead through the remote control of air conditioning before you even step outside.



e-Platform 3.0

BYD SEAL U is equipped with the all-new BYD e-Platform 3.0 designed exclusively for pure electric vehicles. Giving full play to the advantages of intelligence, efficiency, safety and aesthetics, e-Platform 3.0 aims to promote EVs' performance in safety and low-temperature driving range as well as improve intelligent driving experiences, to build more efficient and safer new intelligent EVs.





BYD Blade Battery

BYD has been a pioneering name in the battery industry for more than 29 years. Our latest game-changing Blade Battery has passed a series of extreme tests in rigorous conditions, making it one of the world's safest batteries.

Optimised strength

Arranged in an array in one pack, each cell serves as a structural beam to help withstand the force. The aluminum honeycomb-like structure, with high-strength panels on upper and lower side of the pack, greatly enhances the rigidity in vertical direction. It is this revolutionary design that gives optimised strength to the Blade Battery.

Enhanced safety

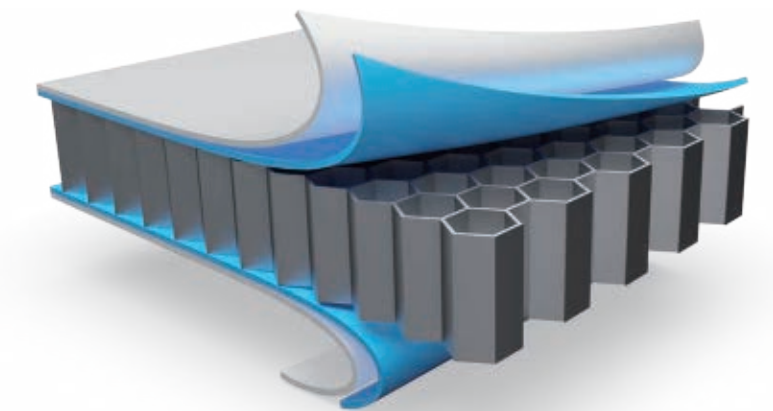
The raw material, lithium iron phosphate has a number of beneficial characteristics: slow heat generation, low heat release and non oxygen release. The unique flat rectangle shape also improves cooling efficiency and preheating performance. Blade Battery has safely passed the nail penetration test without emitting fire or smoke.

Longer range

The space utilisation of the Blade Battery has been increased by over 50% compared with the traditional battery packs, which provides enhanced energy density and delivers longer range.

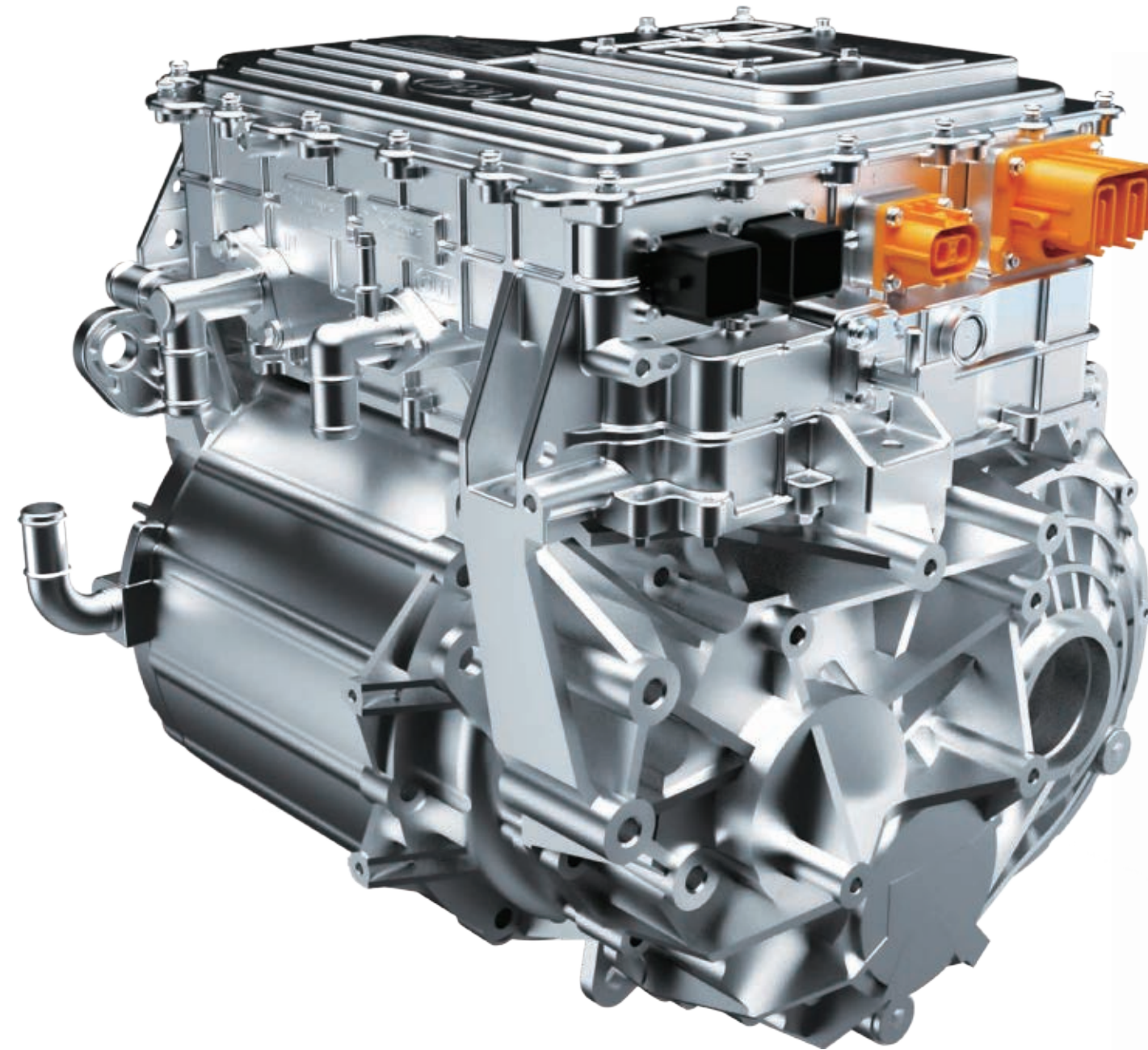
Longer lifespan

Blade Battery has a long battery life with over 5000 charge and discharge cycles.



The world's first mass-produced 8-in-1 electric powertrain

BYD has an exceptional vertical integration capabilities within the supply chain. BYD integrates 8 key components incorporating VCU, BMS, MCU, PDU, DC-DC controller, on-board charger, drive motor and transmission, producing the world's first mass-produced 8-in-1 electric powertrain system, greatly optimising space utilisation and energy efficiency.



VCU (Vehicle Control Unit)

BMS (Battery Management System)

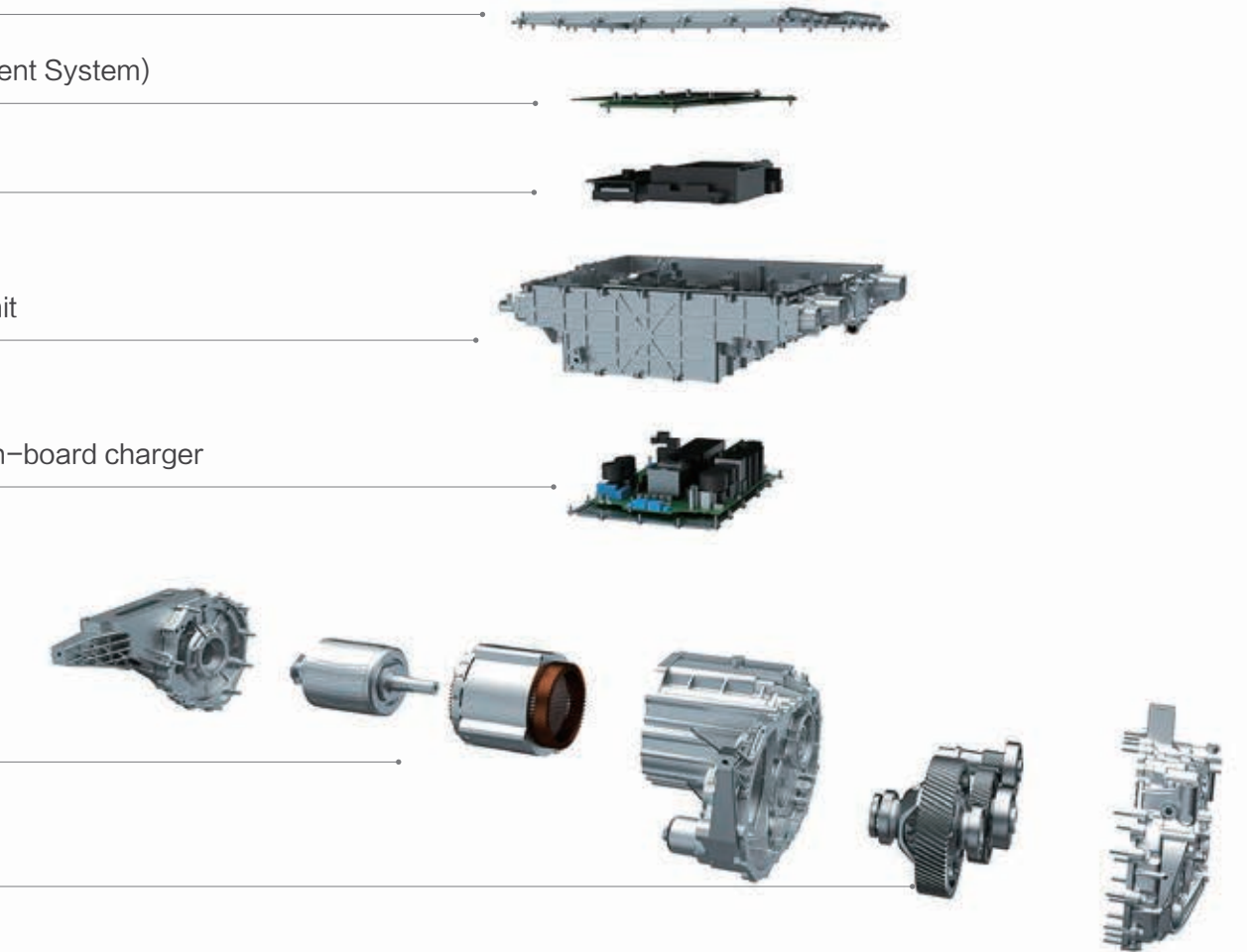
Motor controller

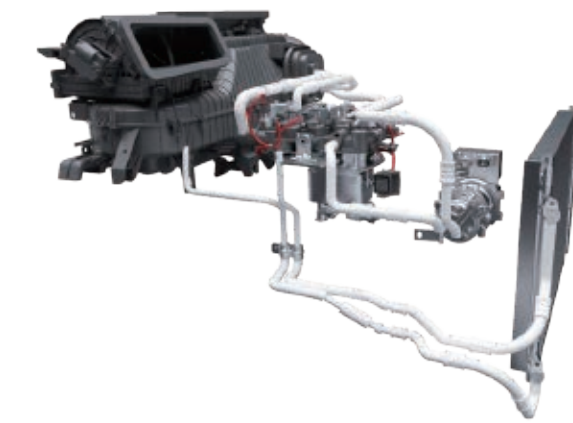
Power Distribution Unit

DC-DC controller, On-board charger

Drive Motor

Transmission





High efficiency heat pump system as standard

An advanced energy-saving heat pump system comes as standard. Reliably operating in a broad range of temperatures, the system is designed to highly utilise residual heat from surroundings, the powertrain, passenger compartment, and even the batteries. It enhances the thermal efficiency and reduces energy loss whether heating or cooling. Therefore, the low-temperature driving range is increased.

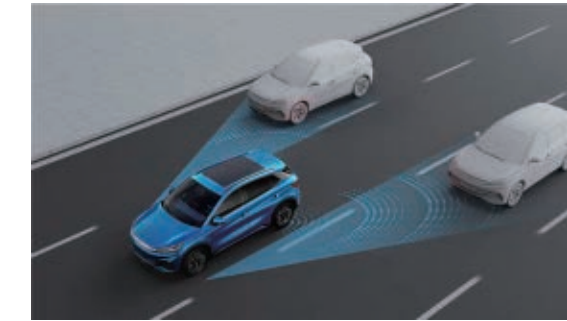
EURO  NCAP



Test 2023

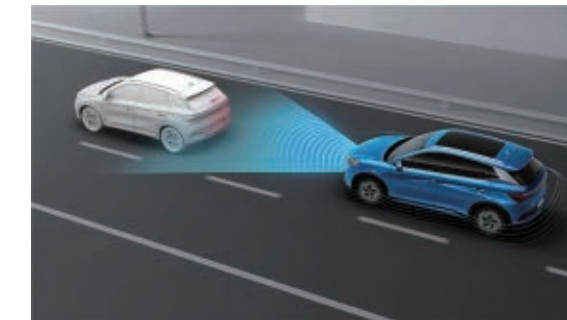
BYD SEAL U has excellent safety credentials as proven in safety tests conducted by the independent European New Car Assessment Programme (Euro NCAP). BYD SEAL U proudly achieved the ultimate overall safety rating of 5 stars.





Blind Spot Detection (BSD)

Our Blind Spot Detection will alert you when a vehicle is approaching quickly in the blind spot of the outside rear view mirrors.



Intelligent Cruise Control (ICC)

Our ICC system integrates ACC and Lane centering control (LCC). It helps control the vehicle both longitudinally and transversely at speeds between 0 and 120 km/h to reduce the driving burden and provide a safe and comfortable driving environment.



Rear Cross Traffic Alert (RCTA) Rear Cross Traffic Brake (RCTB)

When reversing, the rear-angle millimetre-wave radar, monitors other road users approaching the rear of the vehicle in real time either issuing a warning sound or applying the brakes in the event of a possible collision.

Charging

The BYD SEAL U can be efficiently charged in a mere 28 minutes using 140 kW DC rapid charging (from 30% to 80% State of Charge). This swift charging capability ensures hassle-free journeys, allowing you to spend more time on the road.





Charge your life

The SEAL U embraces outdoor family life and can be transformed into a mobile power bank thanks to Vehicle To Load (V2L) technology. Your household electrical devices can be plugged directly into the vehicle for a variety of exciting outdoor activities, such as powering electrical barbeques, creating an outdoor cinema, or simply powering the kid's computers and game consoles. The SEAL U has active family life covered.